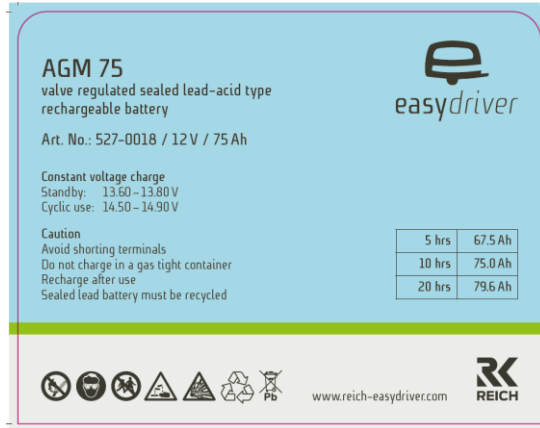


Batterie AGM CPC 75-12LW

(527-0018)

VRLA Battery, cyclic AGM battery (600 cycles)



REICH GmbH
Ahornweg 37
D-35713 Eschenburg

T: +49 (0) 2774 / 9305 - 0
F: +49 (0) 2774 / 9305 - 90
info@reich-web.com

www.reich-web.com

Features

- Valve Regulated Lead Acid (VRLA)
- Maintenance free
- Absorbent Glass Mat Technology (AGM)
- Low self discharge
- Designed for cyclic use
- Can be discharged or stored in any position without leakage
- Battery cannot be charged while upside down
- Produced under ISO 9001 & ISO 14001

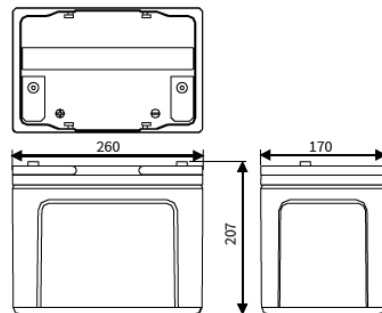
Restrictions

This battery is classified as **non spillable** and is therefore **not restricted** for transport under **ADR regulations** (road transport), **IMDG code** (sea transport) and **IATA regulations** (air transport).

Built to comply with

- DIN 43534
- IEC896-2
- BS6290-pt.4

Dimensions (mm)

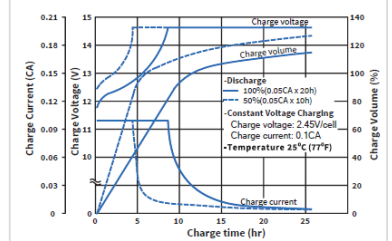


Standard terminal (mm)

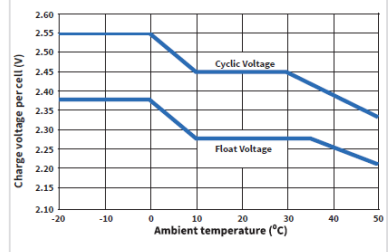


Nominal voltage	12 V
Nominal capacity (1.70V/c, 25°C)	20Hr: 79.6 Ah 10Hr: 75.0 Ah 5Hr: 67.5 Ah 2Hr: 50.0 Ah
Internal resistance	≤5.5mΩ (fully charged)
Maximum charge current	22.5 A
Maximum discharge current	900 A (max. 5 sec)
Number of cycles	600 (50% D.O.D.)
Float use / cyclic use	13.5 - 13.8V / 14.5 - 15.0V
Charge temperature range	-15°C ~ 40°C
Discharge temperature range	-15°C ~ 50°C
Standard terminal	M6 Insert (6 Nm torque)
Housing material	ABS (UL94-HB)
Dimensions Length	260 mm
Dimensions Width	170 mm
Dimensions Height	207 mm
Approximate Weight	24.40 kg
Packing	1 pcs / box

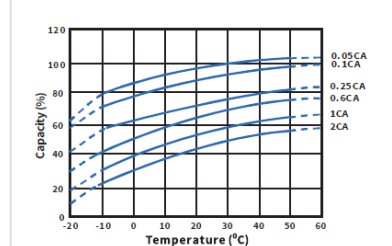
Charge characteristics



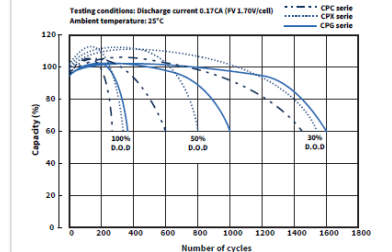
Charge voltage in relation to temperature



Capacity in relation to temperature



Cycle service life in relation to depth of discharge



Geschäftsführer
Steffen Bender

AG Wetzlar HRB 3139
UST-IdNr.: DE112628460
UST-Nr.: 00935960106

VR Bank Lahn-Dill eG
IBAN EUR DE59 5176 2434 0062 0315 06
IBAN GBP DE34 5176 2434 1462 0315 01
IBAN USD DE81 5176 2434 1462 0315 28
BIC GENODE51BIK

Deutsche Bank Dillenburg
IBAN DE91 4607 0090 0418 4842 00
BIC DEUTDK460

Sparkasse Dillenburg
IBAN DE40 5165 0045 0000 0251 63
BIC HELADEF1DIL

Postbank Frankfurt
IBAN DE46 5001 0060 0160 0316 02
BIC PBNKDEFF

ING Bank Ede (NL)
IBAN NL74 INGB 0692 8078 02
BIC INGBNL2A